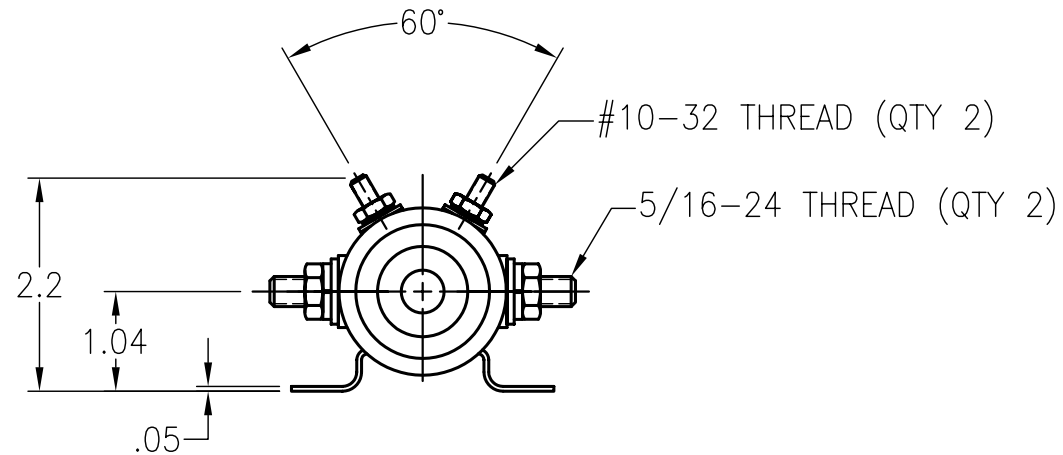
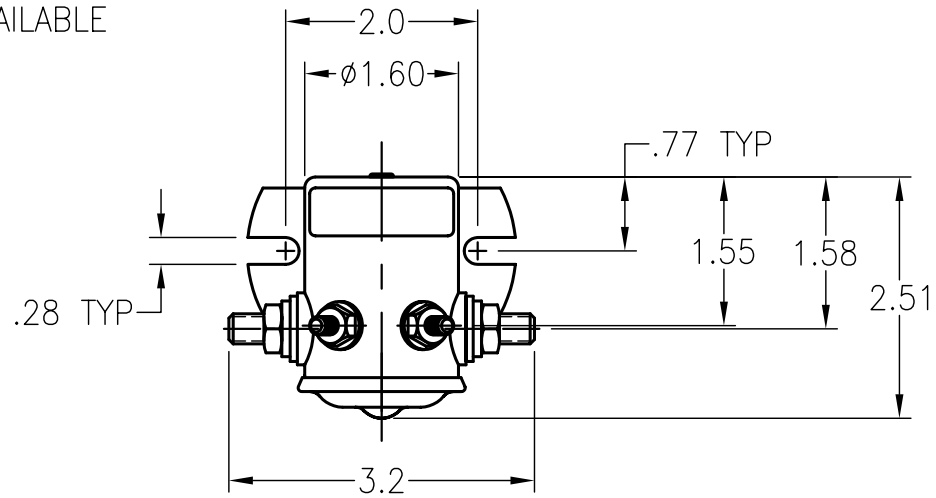


NOTE: BULK HARDWARE KITS ARE AVAILABLE



						MATERIAL			
						FINISH			
						UNLESS OTHERWISE SPECIFIED	974 SERIES CONTACTOR DIMENSIONAL ASSEMBLY		
A	RELEASE	JMG	4042	11/1/02	DAH	.XXX +/- .005 .XX +/- .01 ANG. +/- 1°	DRAWN JMG	SCALE 1:2	DWG. NO.
REV.	DESCRIPTION	BY	ECN	DATE	APP.	BREAK ALL EDGES .005-.015 FILLET .010-.020 RAD.	APPR. DAH	DATE 11/1/02	E08327