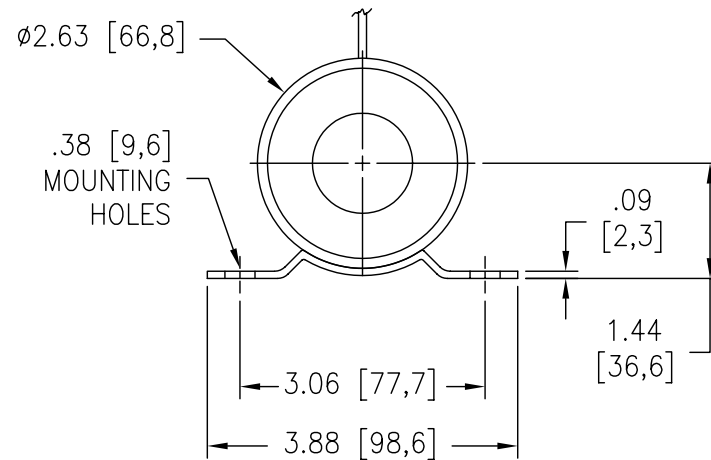
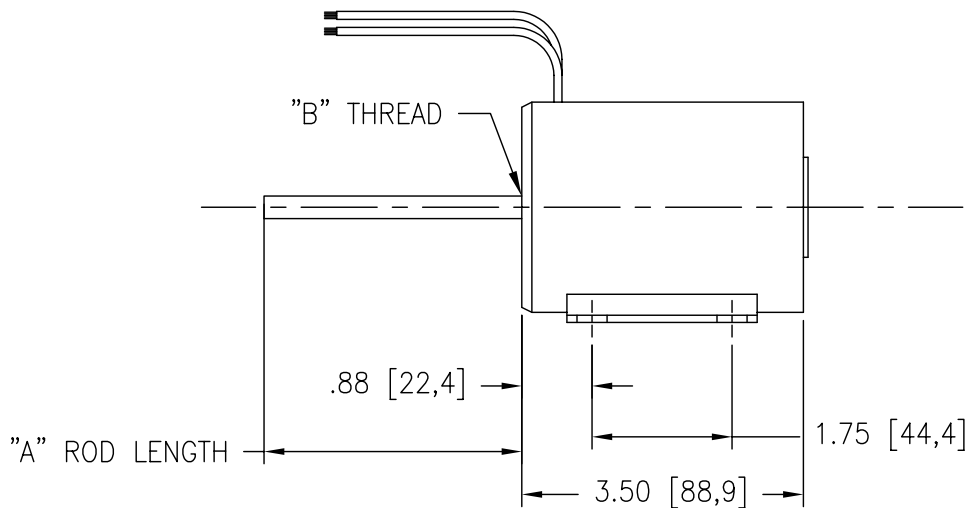
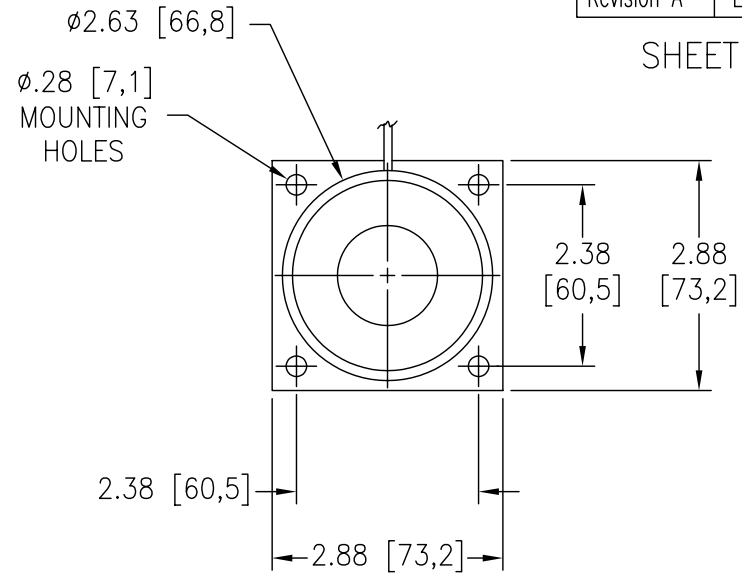
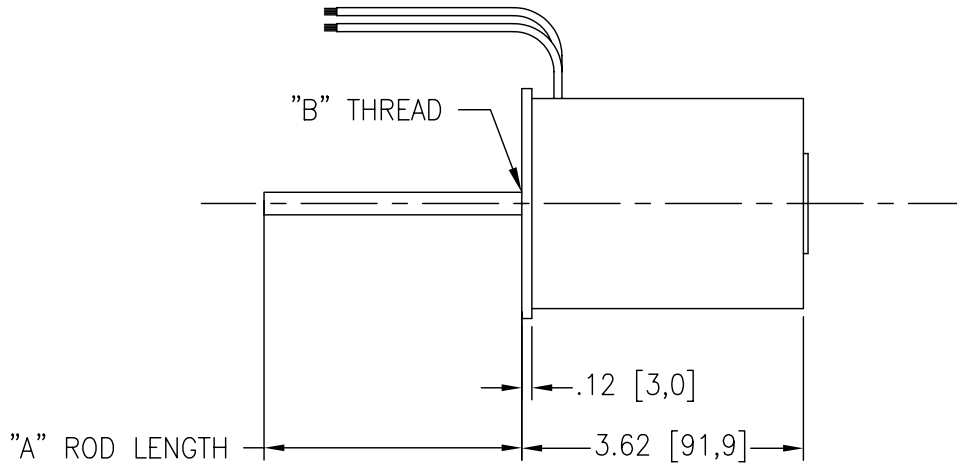


SHOWN ENERGIZED

XQ515 SERIES		
Abbreviated Specifications & Dimensions		
W-XQ515-38001		
Revision A	ECN 3599	10/10/00

SHEET 1 OF 3



SEE SHEET 2 FOR AVAILABLE COMPONENTS & SHEET 3 FOR COILS WITH FORCE CHARACTERISTICS

## AVAILABLE CONFIGURED COMPONENTS

HOUSINGS	PLUNGERS	RODS	"B" THREADS	"A" INSTALLED	BOOTS	CONNECTORS
E05156 Base Mount	F08403 1/4-20 Int. thrd.	E06488	1/4-20 Smooth rod	1.59"	F10227 Boot Kit, Flat	
E05241 Side Mount	F10235 1/4-28 Int. thrd.	F08586	1/4-20 Smooth rod	2.65"		
		F08616	1/4-20 Smooth rod	2.06"		
		F08793	1/4-20 Smooth rod	1.94"		
		F08914	1/4-20 Smooth rod	3"		
		F09159	1/4-20 Smooth rod	1.31"		
		F09180	1/4-20 Smooth rod	2.25"		
		F09247	1/4-20 Smooth rod	1.78"		
		F09908	1/4-20 Smooth rod	4.03"		
		F09990	1/4-20 Smooth rod	4.31"		
		F10249	1/4-20 Smooth rod	2.53"		
		F10321	1/4-20 Smooth rod	2"		

## AVAILABLE COILS WITH FORCE CHARACTERISTICS

VOLTS D.C.	COILS	OHM RATING	DUTY CYCLE	WATTS	FORCE @ 1.5"	FORCE @ 1"	FORCE @ .75"	FORCE @ .50"	FORCE @ .25"
12 v.	R05431	.15/6.0	5%	984	48 lb.	52 lb.	54 lb.	58 lb.	72 lb.
	R04808	.24	7%	613	37 lb.	44 lb.	45 lb.	49 lb.	62 lb.
	R05508	.3/.7	8%	501	25 lb.	32 lb.	35 lb.	39 lb.	52 lb.
	R04885	3.9	100%	37	2.5 lb.	3.7 lb.	4.5 lb.	6.5 lb.	12 lb.
24 v.	R05431	.15/6.0	2%	3937	110 lb.	110 lb.	110 lb.	115 lb.	120 lb.
	R04808	.24	2%	2451	90 lb.	90 lb.	90 lb.	90 lb.	105 lb.
	R05508	.3/.7	3%	2002	70 lb.	72 lb.	7.2 lb.	75 lb.	91 lb.
	R04885	3.9	30%	148	9.5 lb.	15 lb.	18 lb.	22 lb.	32 lb.
108 v.	R04885	3.9	2%	2991	100 lb.	100 lb.	100 lb.	101 lb.	103 lb.
	R04881	28.6	11%	408	29 lb.	36 lb.	38 lb.	42 lb.	58 lb.
216 v.	R04881	28.6	3%	1631	79 lb.	79 lb.	79 lb.	81 lb.	97 lb.