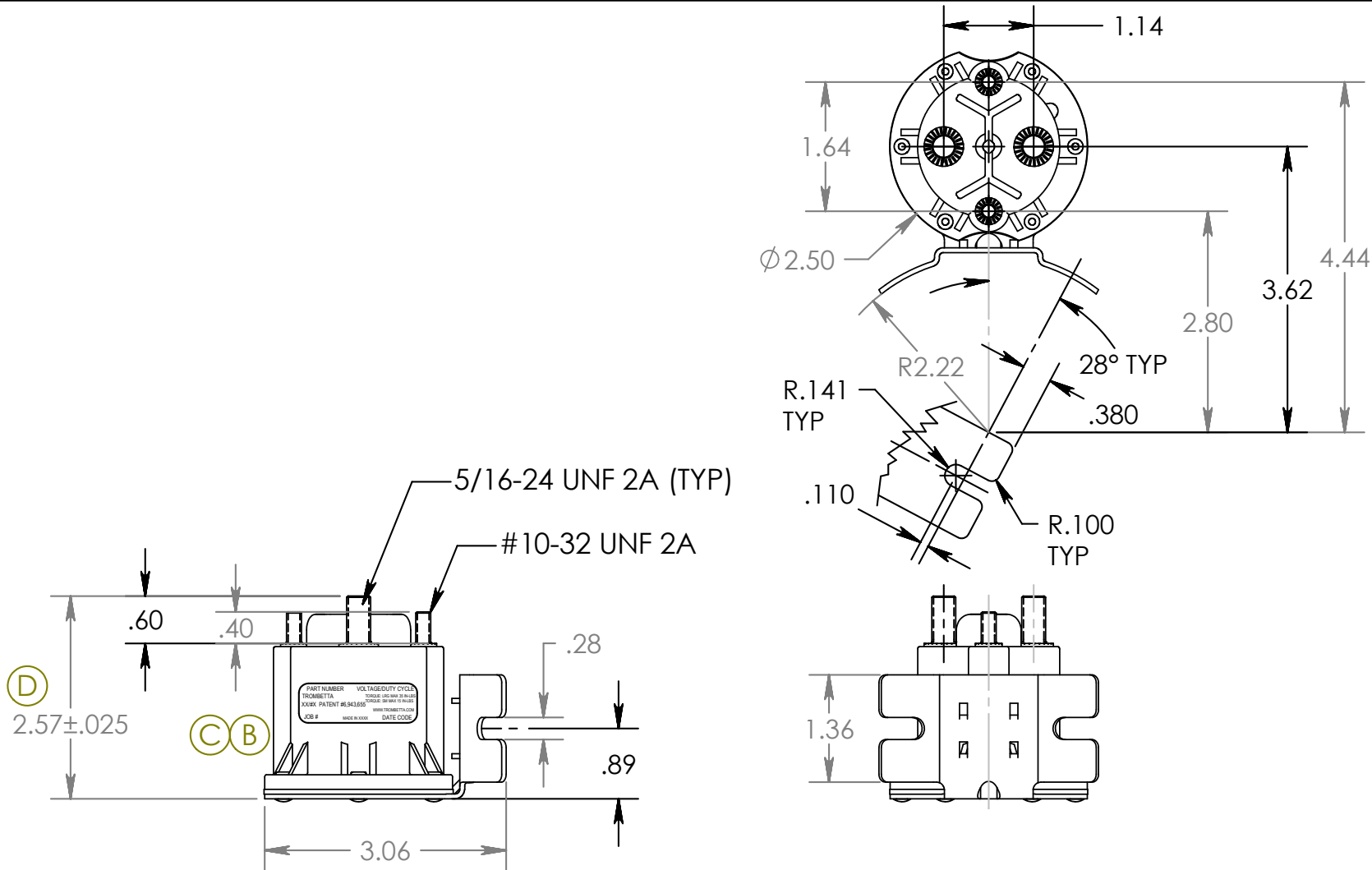


THIS DRAWING IS PROPRIETARY AND CONFIDENTIAL PROPERTY OF TROMBETTA AND IS LOANED IN CONFIDENCE WITH THE UNDERSTANDING THAT IT WILL BE KEPT CONFIDENTIAL AND USED ONLY FOR THE PURPOSE FOR WHICH IT IS LOANED.



						MATERIAL			
						FINISH			
D	ADDED TOLERANCE TO HEIGHT DIMENSION	CAG	4771	10/26/06	DAH	684-XX11 SERIES DIMENSIONAL ASSEMBLY			
C	ADDED PATENT # TO LABEL	CAG	4642	10/18/05	DAH				
B	ADD LABEL	JG	4552	4/4/05	DAH	UNLESS OTHERWISE SPECIFIED .XXX +/- .005 .XX +/- .01 ANG. +/- 1° BREAK ALL EDGES .005-.015 125° FINISH FILLETS .010-.020 RAD.			
A	RELEASE	JG	4248	9/12/03	TM				
REV.	DESCRIPTION	BY	ECN	DATE	APP.	DRAWN	JG	SCALE: 1:2	DWG. NO.
						APPR.	TM	DATE 9/12/03	E08498