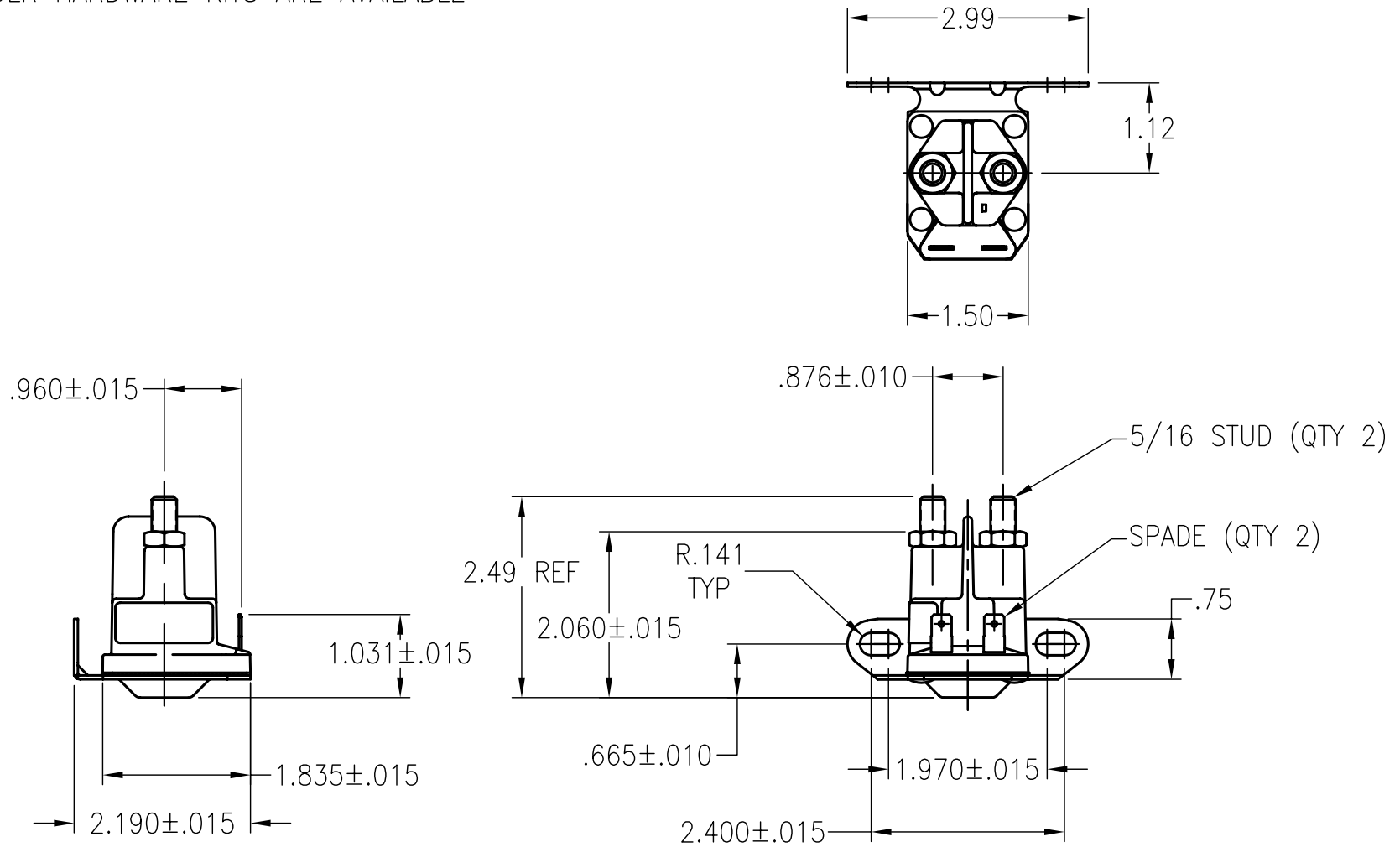


NOTE: BULK HARDWARE KITS ARE AVAILABLE



MATERIAL											
FINISH											
UNLESS OTHERWISE SPECIFIED		864 CONTACTOR "L" BRKT DIMENSIONAL ASSEMBLY									
A	RELEASE	JMG	4038	10/23/02	DAH	.XXX +/- .005	.XX +/- .01	ANG. +/- 1°	DRAWN JMG	SCALE 1:2	DWG. NO.
REV.	DESCRIPTION	BY	ECN	DATE	APP.	BREAK ALL EDGES .005-.015	FILLETS .010-.020 RAD.	125/√ FINISH	APPR. DAH	DATE 10/23/02	E08313