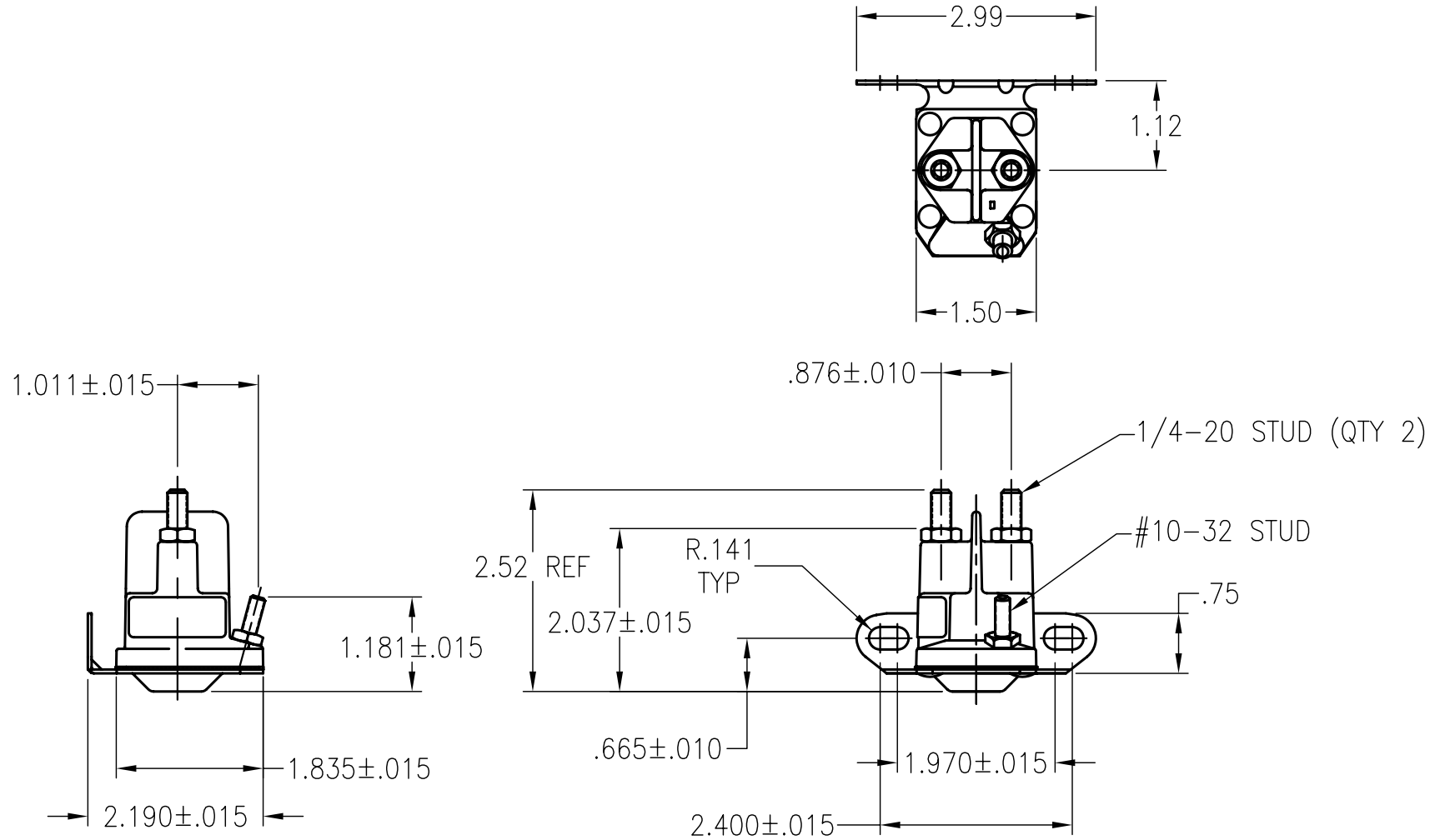



NOTE: BULK HARDWARE KITS ARE AVAILABLE



MATERIAL		 MOTION TECHNOLOGIES										
FINISH												
UNLESS OTHERWISE SPECIFIED		832 CONTACTOR "L" BRKT DIMENSIONAL ASSEMBLY										
A	RELEASE	JMG	4038	10/23/02	DAH	.XXX +/- .005	.XX +/- .01	ANG. +/- 1°	DRAWN JMG	SCALE 1:2	DWG. NO.	
REV.	DESCRIPTION	BY	ECN	DATE	APP.	BREAK ALL EDGES .005-.015	125/	FINISH	APPR. DAH	DATE 10/23/02	E08301	
						FILLET .010-.020 RAD.						