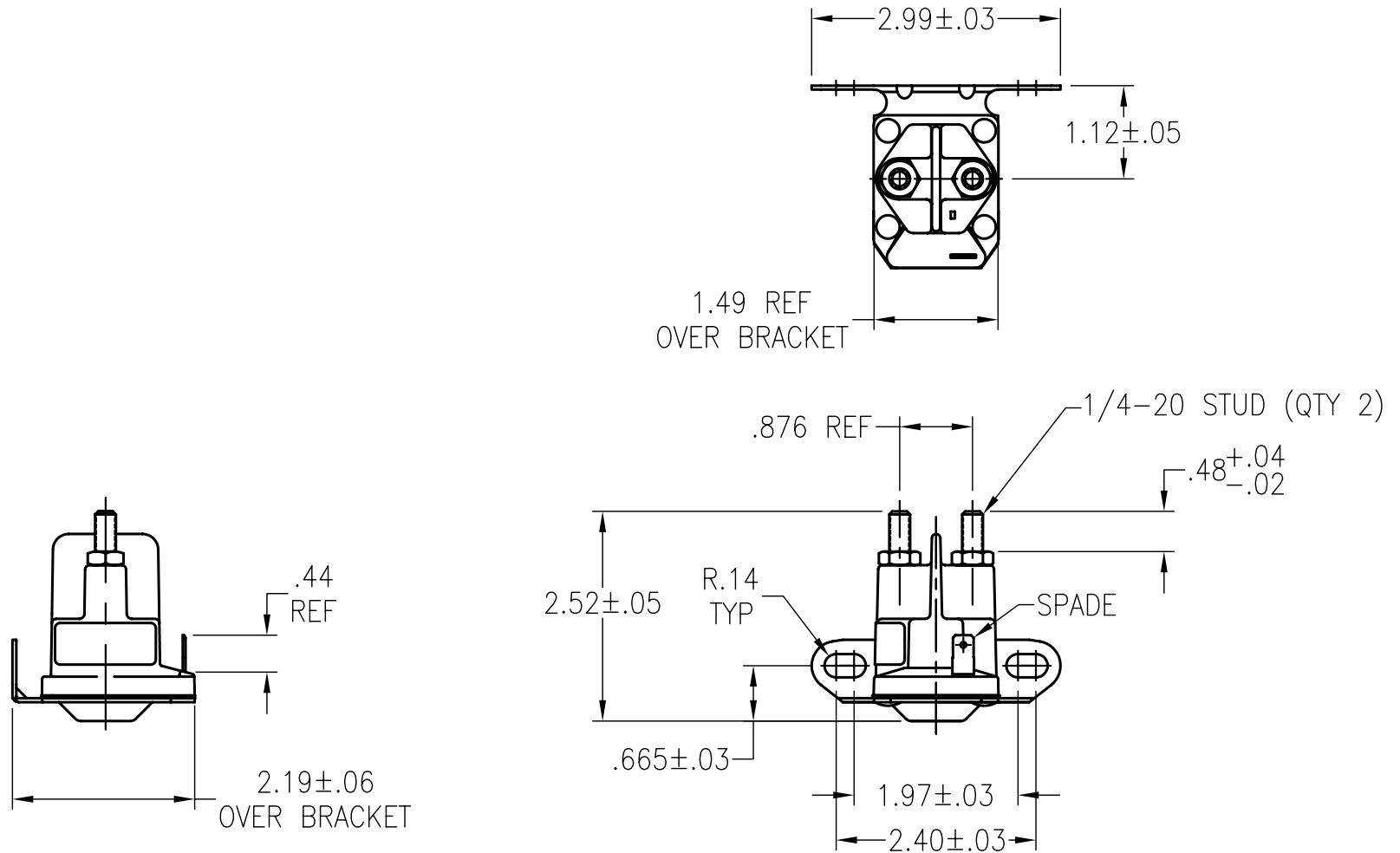



NOTE: BULK HARDWARE KITS ARE AVAILABLE



REV.	DESCRIPTION	BY	ECN	DATE	APP.	MATERIAL				
C	REDRAWN, REVISED TOLERANCES	JMG	4504	12/9/04	DAH		812 CONTACTOR "L" BRKT DIMENSIONAL ASSEMBLY			
B	REVISE TOLERANCES	JMG	4480	9/14/04	DAH					
A	RELEASE	JMG	4038	10/23/02	DAH		UNLESS OTHERWISE SPECIFIED	DRAWN JMG	SCALE 1:2	DWG. NO.
							.XXX +/- .005 .XX +/- .01 ANG. +/- 1°	APPR. DAH	DATE 10/23/02	E08293
							BREAK ALL EDGES .005-.015 125/ FINISH			
							FILLETS .010-.020 RAD.			