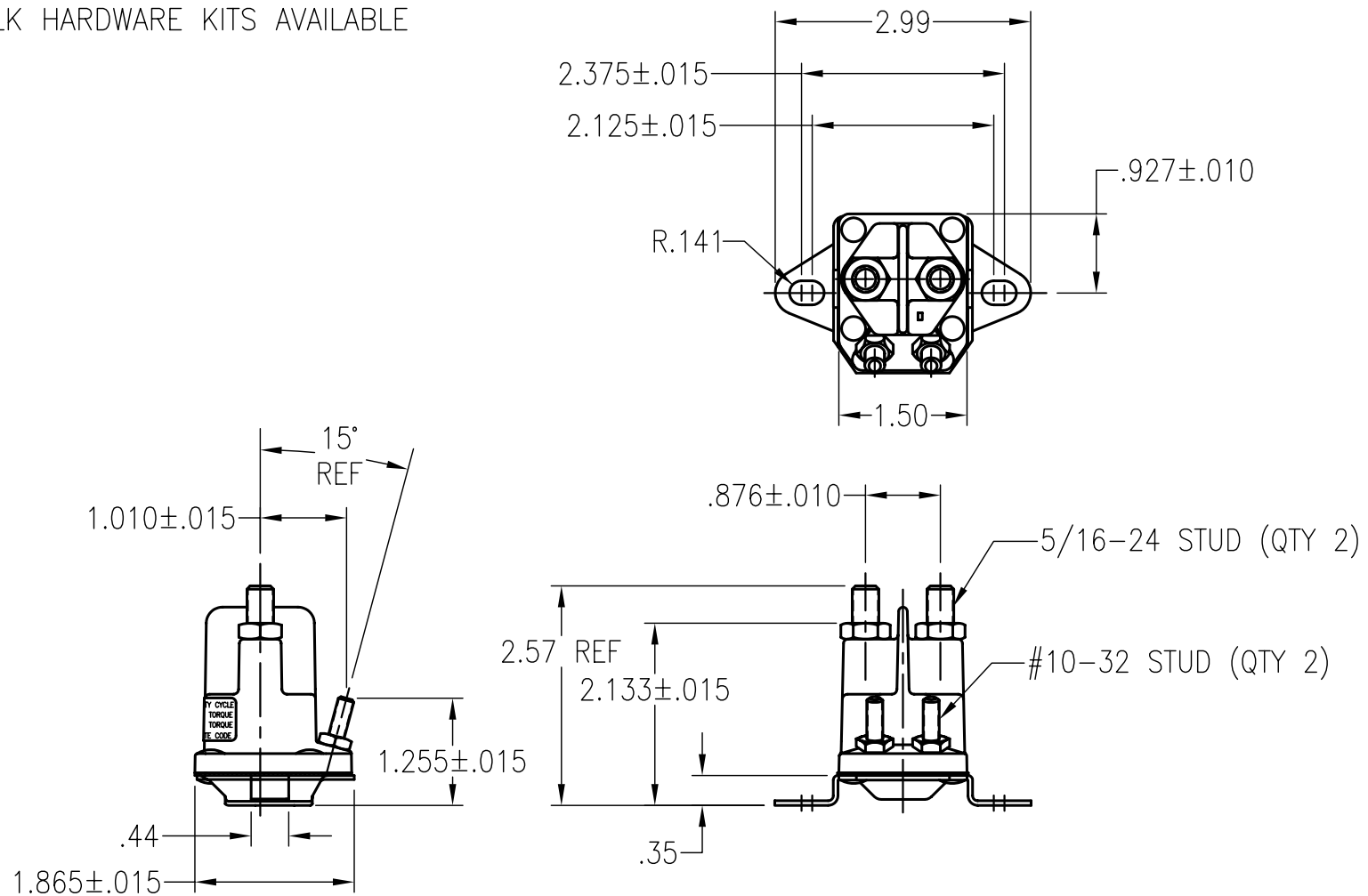



NOTE: BULK HARDWARE KITS AVAILABLE



| | | | | | | | | | | | |
|------|-------------|-----|------|---------|------|----------------------------|---|-------------|-----------|--|----------|
| | | | | | | MATERIAL |  | | | | |
| | | | | | | FINISH | | | | 784 STD BRACKET CONTACTOR DIMENSIONAL ASSEMBLY | |
| | | | | | | UNLESS OTHERWISE SPECIFIED | | | | | |
| A | RELEASE | JMG | 4015 | 9/26/02 | DAH | .XXX +/- .005 | .XX +/- .01 | ANG. +/- 1° | DRAWN JMG | SCALE 1:2 | DWG. NO. |
| REV. | DESCRIPTION | BY | ECN | DATE | APP. | BREAK ALL EDGES .005-.015 | 125/ | FINISH | APPR. DAH | DATE 9/30/02 | E08263 |
| | | | | | | FILLETS .010-.020 RAD. | | | | | |