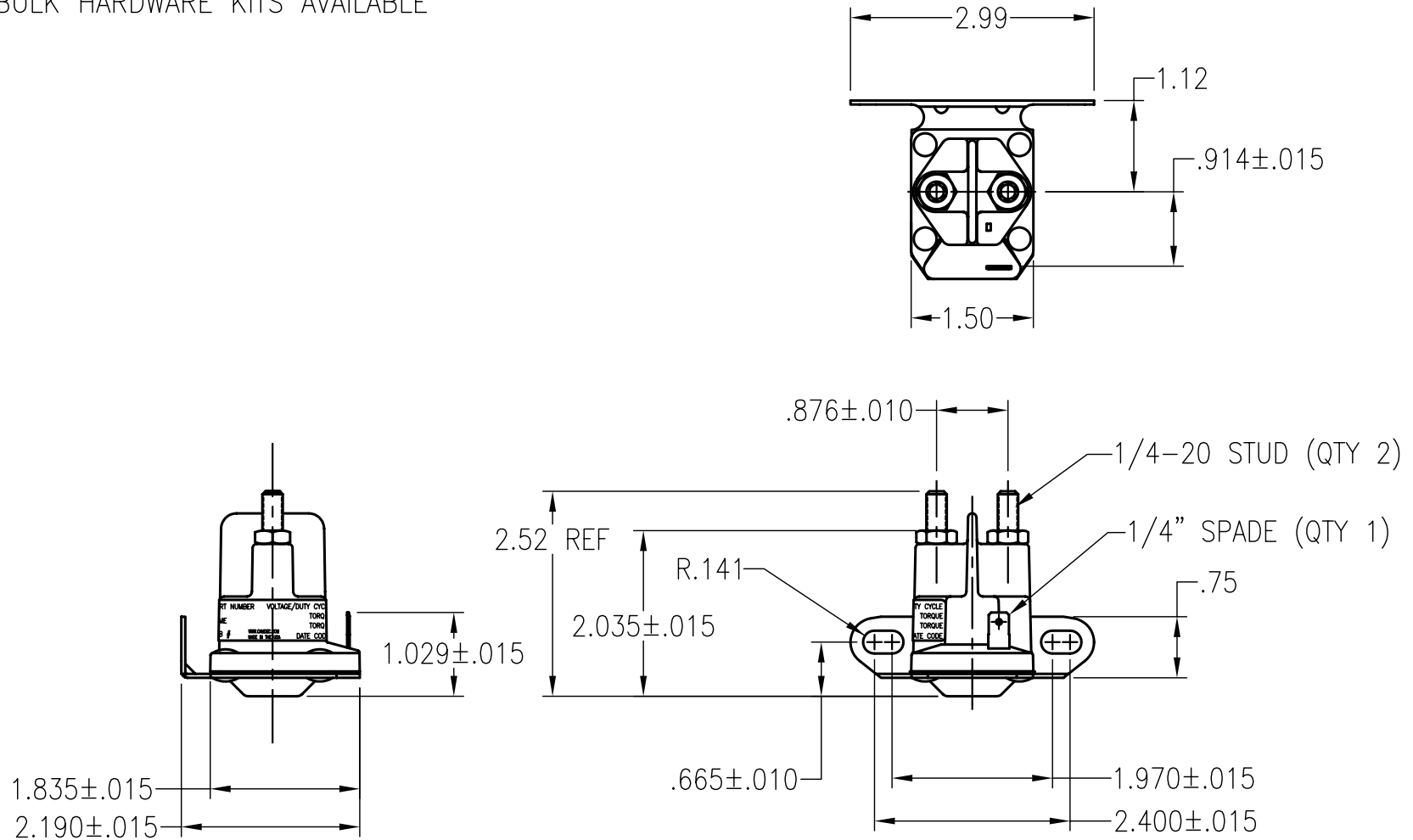



NOTE: BULK HARDWARE KITS AVAILABLE



MATERIAL			 MOTION TECHNOLOGIES				
FINISH							
UNLESS OTHERWISE SPECIFIED			712 L BRACKET CONTACTOR DIMENSIONAL ASSEMBLY				
A	RELEASE	JMG	4015	9/26/02	DAH	.XXX +/- .005 .XX +/- .01 ANG. +/- 1° BREAK ALL EDGES .005-.015 125/ FINISH FILLETS .010-.020 RAD.	DRAWN JMG SCALE 1:2 DWG. NO. APPR. DAH DATE 9/30/02 E08264
REV.	DESCRIPTION	BY	ECN	DATE	APP.		