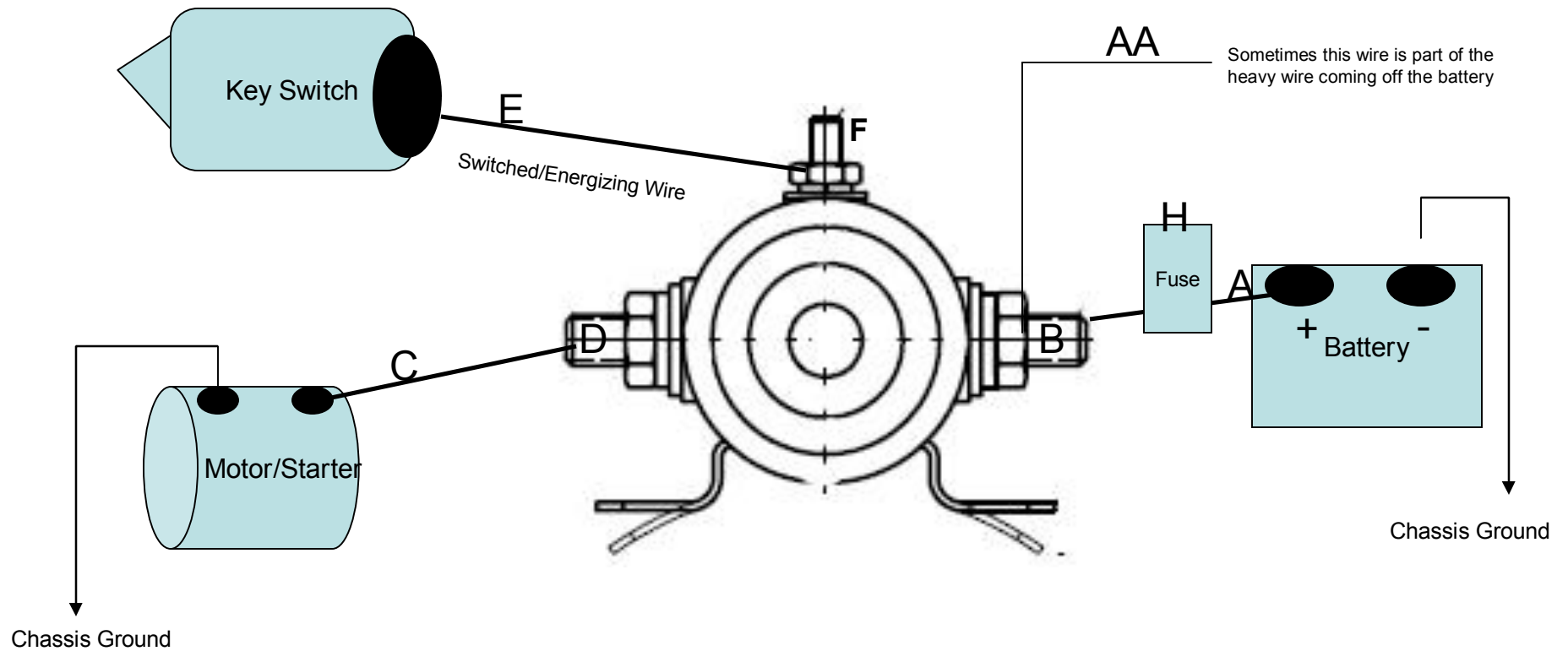


## Installing Grounded Metal Contactor with Coil Stud



**Note: Do not remove nut from stud (B) or stud (D).  
Do not remove nut from stud (F)**

1. Connect the battery cable (A) to Fuse (H).
2. Connect the Fuse (H) to high current stud (B).
3. Connect Key Switch Wire (AA) high current stud (B).
4. Connect the wire (C) from the motor/starter to high current stud (D).
5. Connect the wire (E) coming off the key switch to coil stud (F).