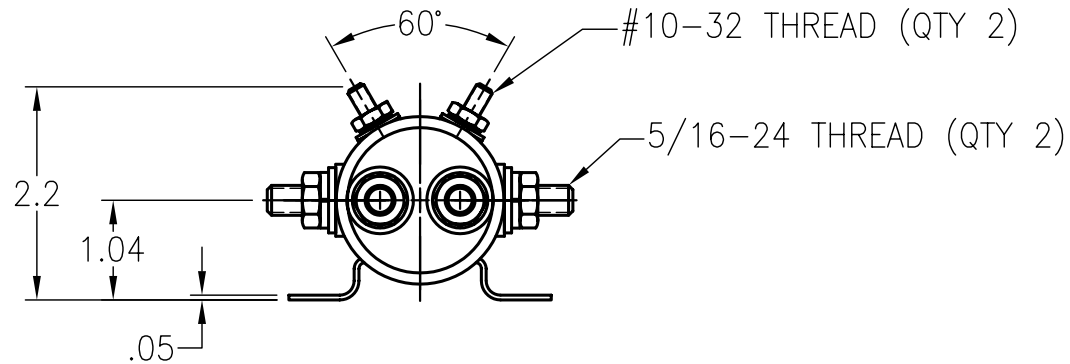
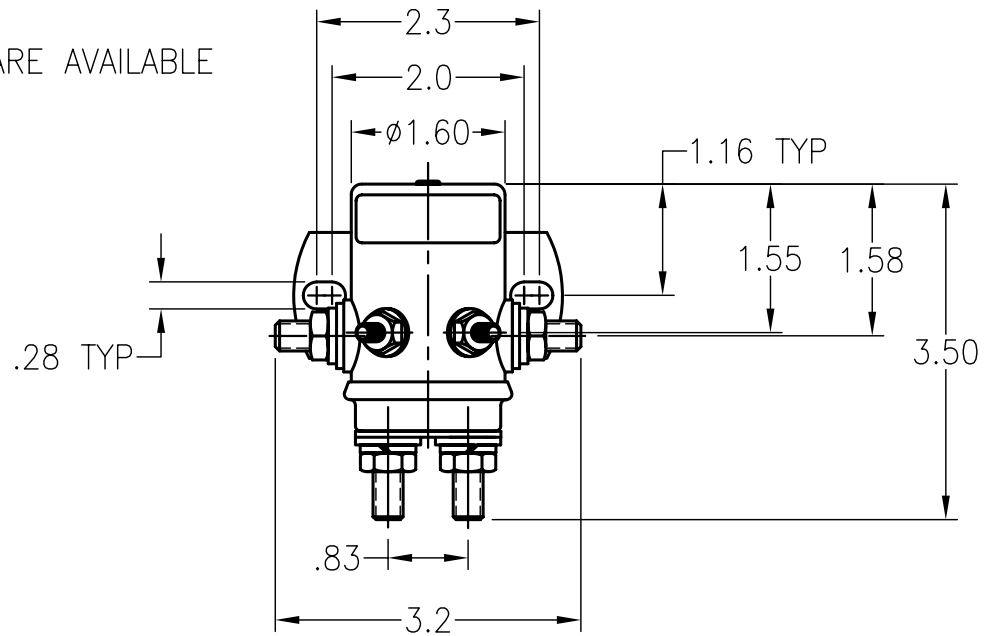



NOTE: BULK HARDWARE KITS ARE AVAILABLE



						MATERIAL	 MOTION TECHNOLOGIES				
						FINISH				970 SERIES CONTACTOR	
						UNLESS OTHERWISE SPECIFIED	DIMENSIONAL ASSEMBLY				
A	RELEASE	JMG	4043	11/1/02	DAH	.XXX +/- .005	.XX +/- .01	ANG. +/- 1°	DRAWN JMG	SCALE 1:2	DWG. NO.
REV.	DESCRIPTION	BY	ECN	DATE	APP.	BREAK ALL EDGES .005-.015	125	FINISH	APPR. DAH	DATE 11/1/02	E08337
						FILLETS .010-.020 RAD.					