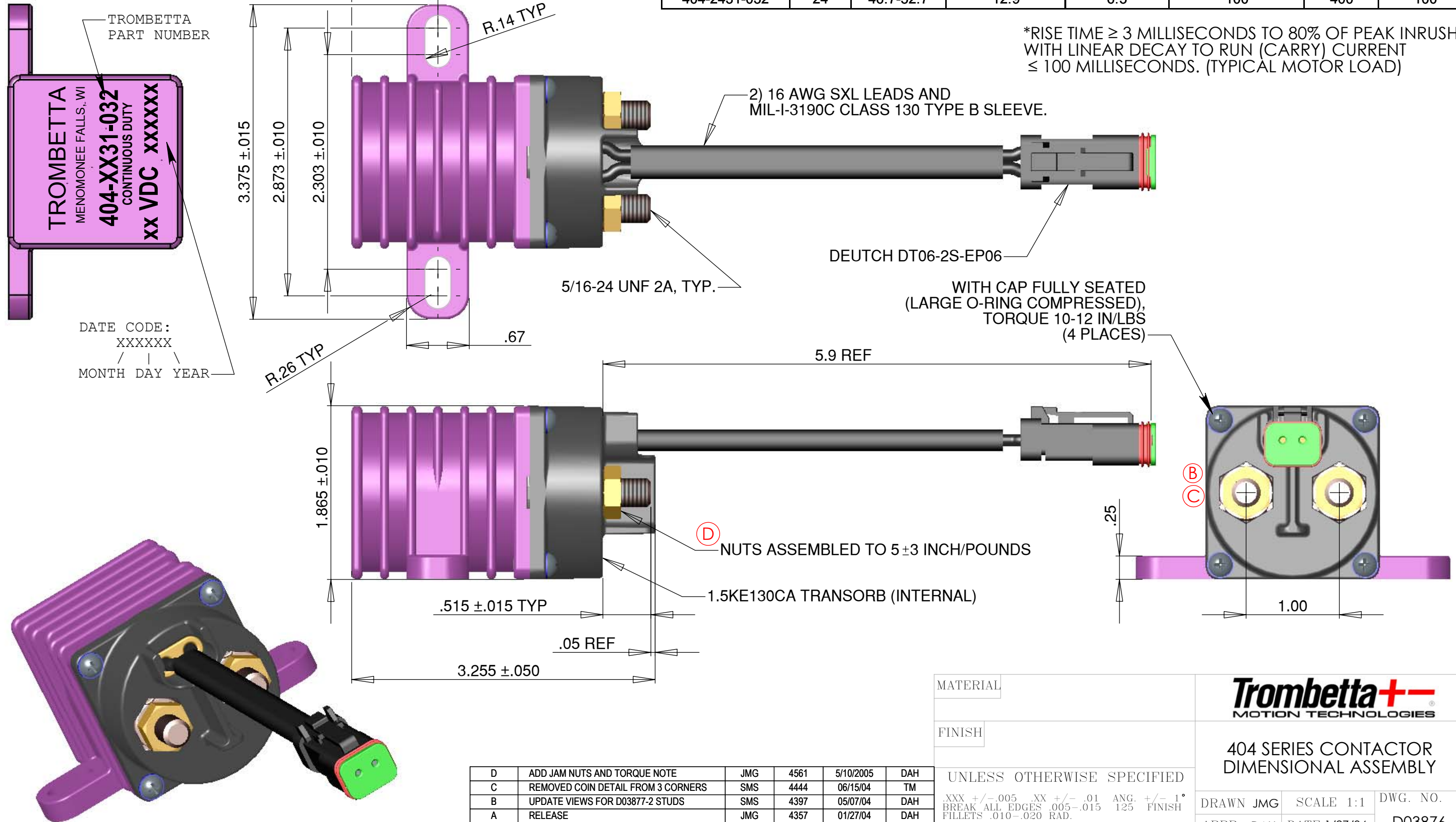


THIS DRAWING IS PROPRIETARY AND CONFIDENTIAL PROPERTY OF TROMBETTA AND IS LOANED IN CONFIDENCE WITH THE UNDERSTANDING THAT IT WILL BE KEPT CONFIDENTIAL AND USED ONLY FOR THE PURPOSE FOR WHICH IT IS LOANED.

TROMBETTA P/N	LABEL	25° C OHMS WITH PLUG	MIN VOLTAGE	CONTINUOUS RESISTIVE CURRENT RATING	INDUCTIVE CURRENT		
			REQ'D TO PULL-IN @ 25° C		MIN HOLD-IN VDC AT 25° C	RATING *	CARRY
404-1231-032	12	12.55-14.11	6.5	3.2	200	400	100
404-2431-032	24	46.7-52.7	12.9	6.5	100	400	100



\*RISE TIME ≥ 3 MILLISECONDS TO 80% OF PEAK INRUSH WITH LINEAR DECAY TO RUN (CARRY) CURRENT ≤ 100 MILLISECONDS. (TYPICAL MOTOR LOAD)

MATERIAL	 MOTION TECHNOLOGIES	
FINISH		
UNLESS OTHERWISE SPECIFIED		
.XXX +/- .005 .XX +/- .01 ANG. +/- 1° BREAK ALL EDGES .005-.015 125 FINISH FILLET .010-.020 RAD.		
DRAWN JMG	SCALE 1:1	DWG. NO.
APPR. DAH	DATE 1/27/04	D03876

REV	DESCRIPTION	BY	ECN	DATE	APP
D	ADD JAM NUTS AND TORQUE NOTE	JMG	4561	5/10/2005	DAH
C	REMOVED COIN DETAIL FROM 3 CORNERS	SMS	4444	06/15/04	TM
B	UPDATE VIEWS FOR D03877-2 STUDS	SMS	4397	05/07/04	DAH
A	RELEASE	JMG	4357	01/27/04	DAH