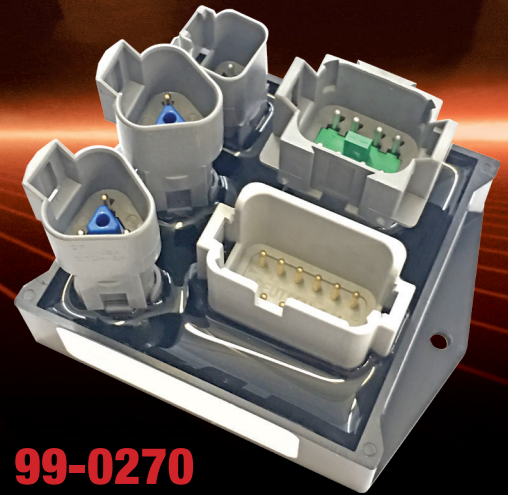


J1939 Bus Splitter

This CAN bus splitter provides a cost effective and space efficient way of connecting multiple devices to the J1939 CAN bus. This module reduces cost by eliminating Y adapters and extra harnesses typically used to provide additional connections to the bus.



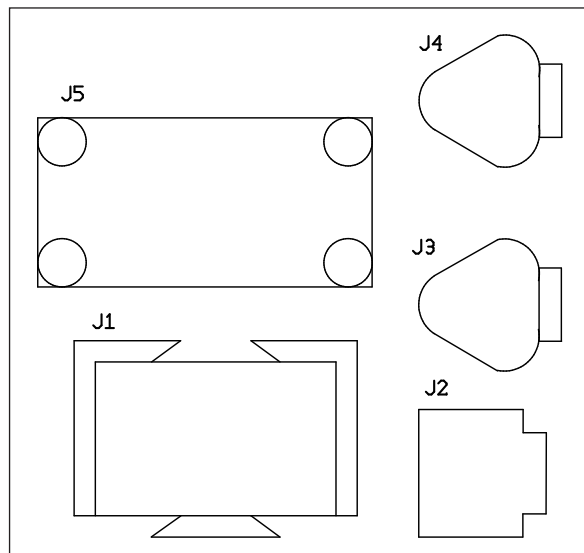
99-0270

PRODUCT FEATURES

- Reduces bus harnessing
- Reduces actual and production costs
- Reduces bus connections increasing quality & durability
- Eases troubleshooting of harnesses
- Potted for a true IP67 rating
- Operating & storage temp rating
-45°C to +85°C
- Connectors:
 - J1 = DT04-8PA Deutsch Connector
 - J2 = DT04-2P Deutsch Connector
 - J3 = DT04-3P Deutsch Connector
 - J4 = DT04-3P Deutsch Connector
 - J5 = DTF15-12PA Deutsch Connector
- Dimensions 4" x 3" x 2.5"
- Rugged ABS Housing
Mtg Flange Holes = 3.5" on center

99-0270	DT04-8PA	DT04-2P
	J1	J2
POWER	1,2,3,4	1
GRD	5,6,7,8	2

99-0270	DT04-3P	DT04-3P	DTF15-12PA
J1939	J3	J4	J5
CAN HI	A	A	2,5,8,11
CAN LO	B	B	1,6,7,12
GRD	C	C	3,4,9,10



TROMBETTA 
DC Power Solutions for a Harsh World