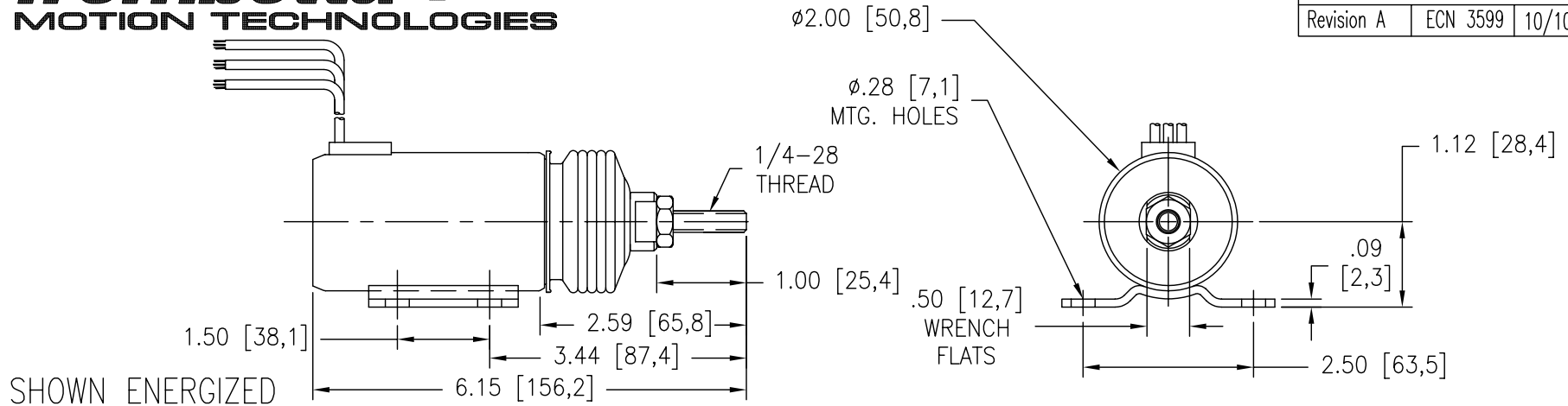


Trombetta+[®]

MOTION TECHNOLOGIES

P613 SERIES		
Abbreviated Specifications & Dimensions		
W-P613-18001		
Revision A	ECN 3599	10/10/00



Model #	Net Pull Force (lbs./newtons)	Net Hold Force (lbs./newtons)	Max. Stroke (inch [mm])	Voltage	Coil Resis. (ohms)	Pull-in (amps)	Hold (amps)	Spring	Boot	Comments & Features
P613-A1V12	21/93.4	40/178	1.50 [38,1]	12 VDC	.176/13.6	69.1	.88	No	Yes	
P613-A1V24	21/93.4	40/178	1.50 [38,1]	24 VDC	.66/50	36.8	.48	No	Yes	
P613-B1V12	21/93.4	33/147	1.50 [38,1]	12 VDC	.176/13.6	69.1	.88	B	Yes	
P613-B1V24	21/93.4	33/147	1.50 [38,1]	24 VDC	.66/50	36.8	.48	B	Yes	
P613-C1V12	20/89.0	29/129	1.50 [38,1]	12 VDC	.176/13.6	69.1	.88	C	Yes	
P613-C1V24	20/89.0	29/129	1.50 [38,1]	24 VDC	.66/50	36.8	.48	C	Yes	
P613-D1V12	20/89.0	24/107	1.50 [38,1]	12 VDC	.176/13.6	69.1	.88	D	Yes	
P613-D1V24	20/89.0	24/107	1.50 [38,1]	24 VDC	.66/50	36.8	.48	D	Yes	
P613-E1V12	14/62.3	27/120	1.50 [38,1]	12 VDC	.176/13.6	69.1	.88	E	Yes	
P613-E1V24	14/62.3	27/120	1.50 [38,1]	24 VDC	.66/50	36.8	.48	E	Yes	
P613-A1V32	21/93.4	40/178	1.50 [38,1]	32 VDC	1.25/81.5	26.0	.39	No	Yes	
P613-F1V12	17/75.6	30/133	1.50 [38,1]	12 VDC	.176/13.6	69.1	.88	F	Yes	
P613-F1V24	17/75.6	30/133	1.50 [38,1]	24 VDC	.66/50	36.8	.48	F	Yes	
P613-A21V12	21/93.4*	40/178*	1.50 [38,1]	12 VDC	.176/13.6	69.1	.88	Opt	Yes	Packard connector, *less spring
P613-A21V24	21/93.4*	40/178*	1.50 [38,1]	24 VDC	.66/50	36.8	.48	Opt	Yes	Packard connector, *less spring
P613-A52V24	21/93.4	40/178	1.50 [38,1]	24 VDC	.66/50	36.8	.48	No	Yes	Deutsch connector