

5

4

3

2

1

A

A

B

B

C

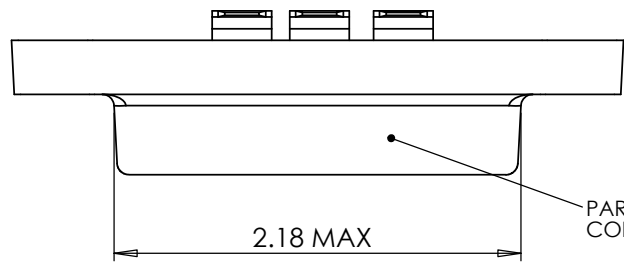
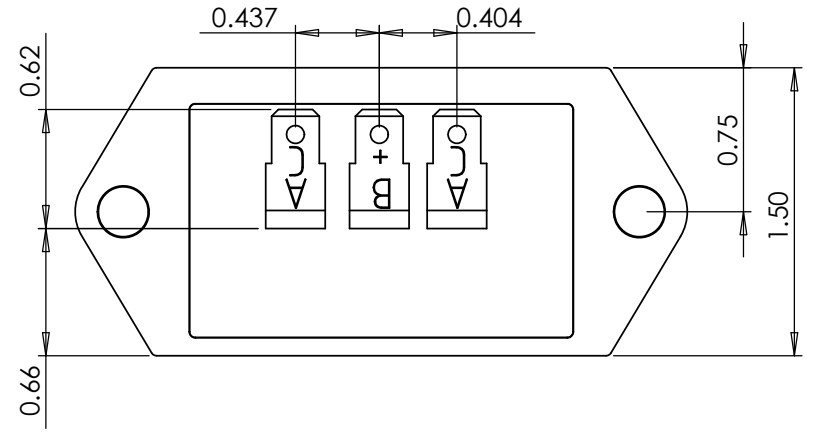
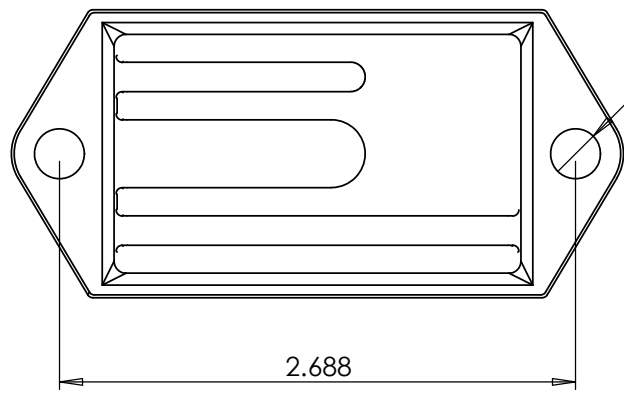
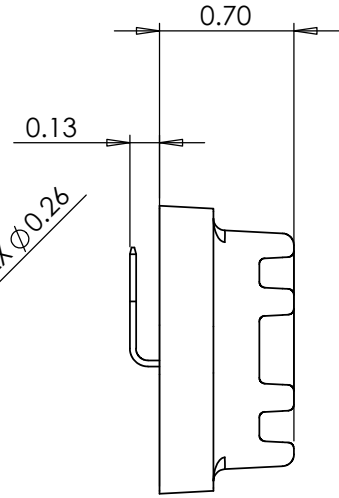
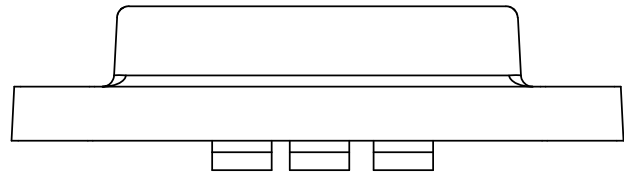
C

D

D

E

E



NOTES:

- 1.) Unit protected against most reverse battery conditions. External fuse protection is recommended.
- 2.) For mating terminal & connector use Packard Electric terminal #2965142 & connector body #2984959.
- 3.) Regulator for use with 12 V negative grounded battery only.
- 4.) Regulation voltage: 14 ± 0.3 V at 70°F.
- 5.) Reverse current: 1 mA maximum at 70°F.
- 6.) Unit protected against open circuit and short circuit operation.
- 7.) Temperature compensation range: -5 to -15 mV/°F.
- 8.) Encapsulate unit with Polyurethane compound, NOT TO EXCEED HEIGHT OF HOUSING.
- 9.) Current at regulation: 0.5 A maximum at 70°F.

PART NUMBER AND DATE CODE IN THIS AREA

DWN	CHK	DESCRIPTION	ECN #	REV	DATE
JG	DB			P01	5/27/10

PROPRIETARY AND CONFIDENTIAL
 THE INFORMATION CONTAINED IN THIS DRAWING IS THE SOLE PROPERTY OF TROMBETTA-TYMPANIUM. ANY REPRODUCTION IN PART OR AS A WHOLE WITHOUT THE WRITTEN PERMISSION OF TROMBETTA ELECTRONICS IS PROHIBITED.

QUOTE

PROD

UNLESS OTHERWISE SPECIFIED:	NAME	DATE
DIMENSIONS ARE IN INCHES TOLERANCES: FRACTIONAL ± 0.062 ANGULAR: MACH $\pm 0.5^\circ$ BEND $\pm 0.5^\circ$ TWO PLACE DECIMAL ± 0.05 THREE PLACE DECIMAL ± 0.01 METRIC IN [mm]	DRAWN JG	5/17/10
	CHECKED DB	5/27/10
	ENG APPR. DB	5/27/10
	MFG APPR.	
	Q.A.	
INTERPRET GEOMETRIC TOLERANCING PER: ANSI Y14.5M-1982	COMMENTS: FIRST ANGLE VIEW	
MATERIAL		
FINISH		
NEXT ASSY	USED ON	
APPLICATION		DO NOT SCALE DRAWING

TROMBETTA ELECTRONICS	
197 Commercial St. Malden, Ma. 02148	
TITLE: 15 AMP REGULATOR/RECTIFIER	
SIZE A	DWG. NO. AXXXX
REV REL	
SCALE: 1:1	WEIGHT:
SHEET 1 OF 1	

5

4

3

2

1