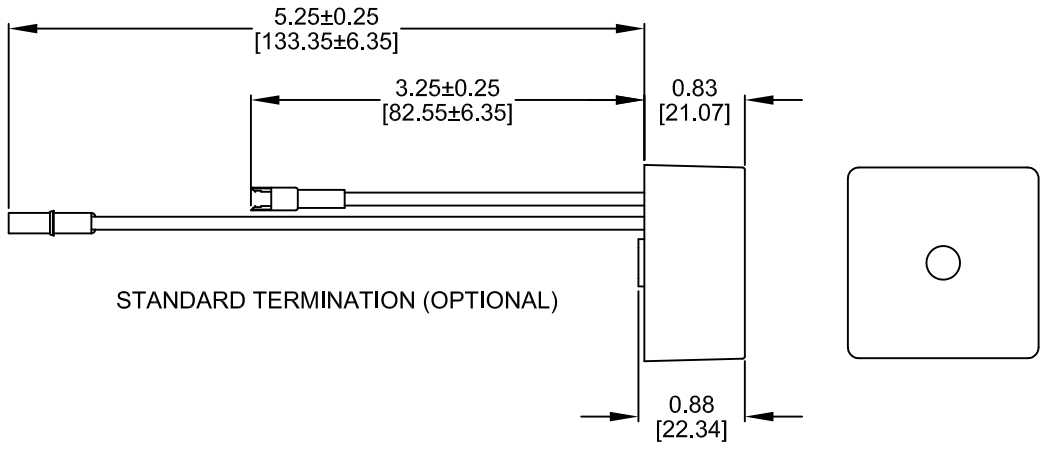
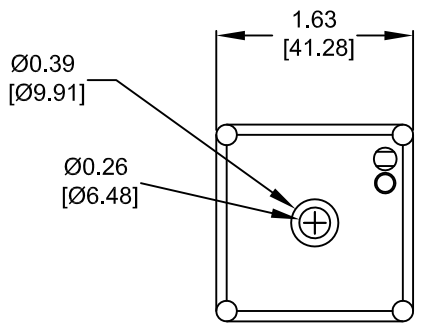


8 7 6 5 4 3 2 1



STANDARD TERMINATION (OPTIONAL)

NOTES:

1. CURRENT 9 AMPS AVERAGE ON RED WIRE AT 12.8V.
2. CASE MATERIAL: DIE CAST ALUMINUM.
3. LEAD WIRES: 16 AWG, SXL.
4. STANDARD TERMINATION (OPTIONAL):
 AMP: 1-480349-5 ON YELLOW WIRE
 AMP: 1-480351-2 ON RED WIRE
5. SET VOLTAGE: 14.2 ±0.3V @ 3.5 AMPS DC
6. TEMPERATURE COEFFICIENT: -5 ±5 MILLIVOLTS/°C.
7. ABSOLUTE MAXIMUM CASE TEMP.: 85°C
8. MAXIMUM BATTERY DRAIN CURRENT @ 20°C AND 12.6 VDC = 250 MICROAMPS.
9. POLYURETHANE ENCAPSULATED.

QUOTE	PROD	DRN	CHK	DESCRIPTION	ECN #	REV	DATE	PROPRIETARY AND CONFIDENTIAL THE INFORMATION CONTAINED IN THIS DRAWING IS THE SOLE PROPERTY OF TROMBETTA ELECTRONICS. ANY REPRODUCTION IN PART OR AS A WHOLE WITHOUT THE WRITTEN PERMISSION OF TROMBETTA ELECTRONICS IS PROHIBITED.

UNLESS OTHERWISE SPECIFIED:		NAME	DATE	TROMBETTA ELECTRONICS 197 Commercial St Malden, Ma. 02148
DIMENSIONS ARE IN INCHES		JG	7/9/10	
TOLERANCES:				
FRACTIONAL ±				
ANGULAR: MACH ± BEND ±				TITLE: 9 AMP REGULATOR
TWO PLACE DECIMAL ±0.01				
THREE PLACE DECIMAL ±0.005				SIZE DWG. NO. REV
METRIC IN [mm]				B AXXXX X
INTERPRET GEOMETRIC TOLERANCING PER: ANS1 Y14.5M-1982		COMMENTS:		SCALE: 1:1 WEIGHT: SHEET 1 OF 1
MATERIAL				
FINISH				
NEXT ASSY USED ON				
APPLICATION		DO NOT SCALE DRAWING		

8 7 6 5 4 3 2 1