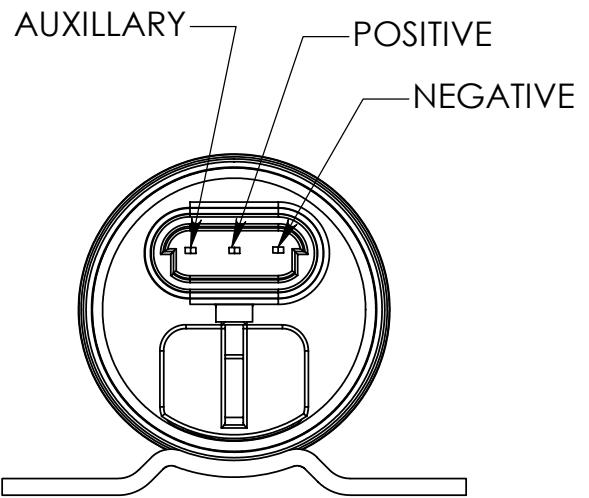


NOTE:  
IT IS RECOMMENDED THAT A DIELECTRIC GREASE BE APPLIED TO EACH TERMINAL AT TIME OF INSTALLATION, I.E. NYOGEL 760G

MALE CONNECTOR FOR MATING WITH METRI-PACK SERIES 150, 3 TERMINAL FEMALE CONNECTOR ASSEMBLY



| SOLENOID     | THREAD SIZE   |
|--------------|---------------|
| ISE610-A1V12 | 1/4-28 UNF-2A |
| ISE610-B1V12 | 1/4-28 UNF-2A |
| ISE610-B6V12 | M6 X 1-6G     |
| ISE610-C1V12 | 1/4-28 UNF-2A |

| REV | DESCRIPTION  | BY  | ECN  | DATE    | APP. |
|-----|--|-----|------|---------|------|
| E   | ADD PATENT NO.   | JG  | 4559 | 5/6/05  | TM   |
| D   | UPDATED VIEWS TO SHOW PLGR ROD, ADD WRENCH FLAT NOTE, UPDATED DIMENSIONS AND LABEL TEXT, ADDED CHART | TM  | 4267 | 4/20/04 | TM   |
| C   | ADD LABEL, BOOT & NOTE   | JG  | 4211 | 8/1/03  | TM   |
| B   | ADD LABEL TO VIEW  | JMG | 4016 | 9/27/02 | TM   |
| A   | RELEASE  | TM  | 3984 | 7/25/02 | TM   |

| MATERIAL  |  |
|---|--|
|   |  |
| FINISH  |  |
|   |  |
| UNLESS OTHERWISE SPECIFIED  |  |
| .XXX +/- .005 .XX +/- .01 ANG. +/- 1°<br>BREAK ALL EDGES .005-.015 125 FINISH<br>FILLETS .010-.020 RAD. |  |

**Trombetta**  
MOTION TECHNOLOGIES

**ISE610 SIDE MOUNT DIMENSIONAL ASSEMBLY**

|          |              |          |
|----------|--------------|----------|
| DRAWN TM | SCALE: 1:1   | DWG. NO. |
| APPR. TM | DATE 7/25/02 | D03605   |