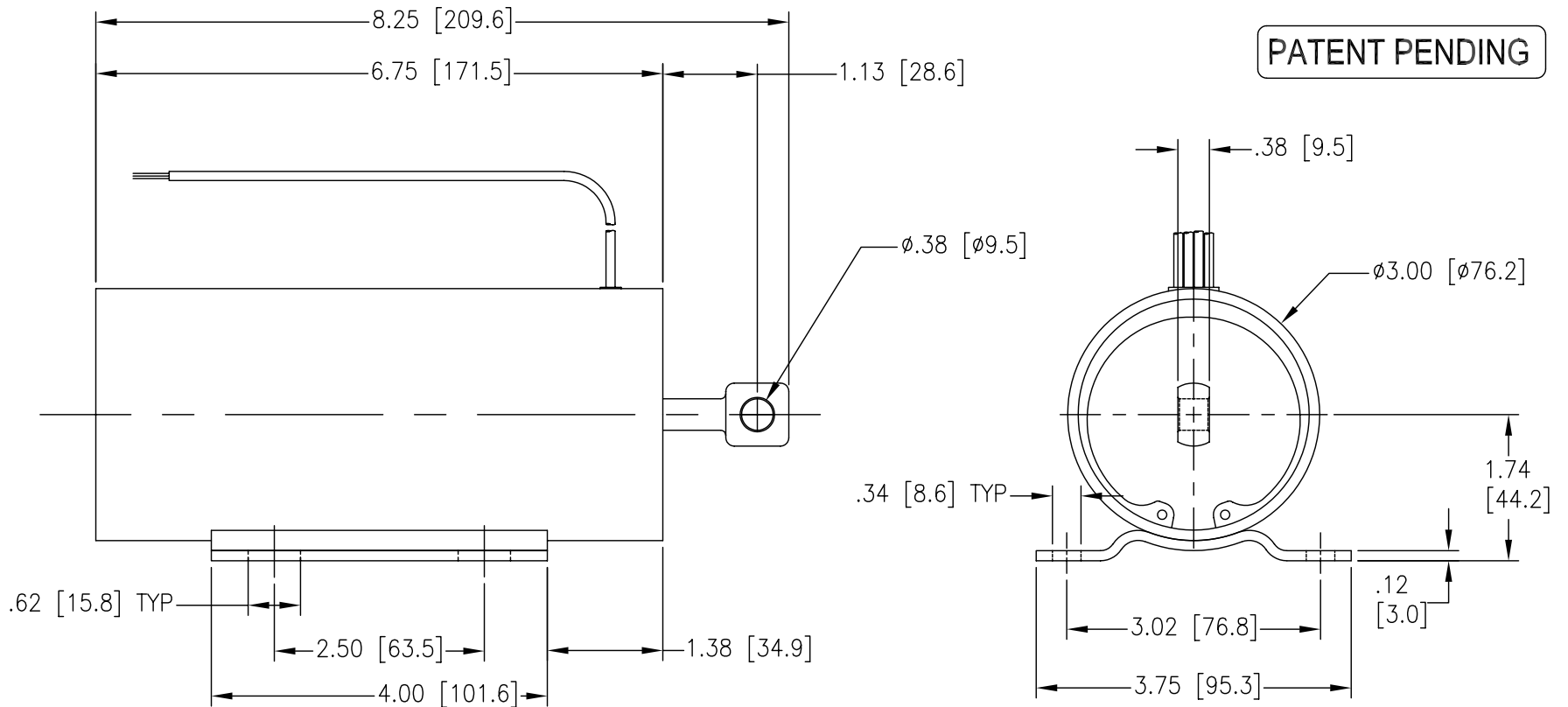


BI-DIRECTIONAL OPERATOR

PATENT PENDING



SHOWN RETRACTED.

Model #	Net Pull Force (lbs./newtons)	Net Push Force (lbs./newtons)	Total Stroke (inch [mm])	Voltage	Coil Resis. (ohms)	Pull or Push (amps)	Spring	Boot	Comments & Features
R2D516-A6V208	200/890	200/890	1.313 [33,35]	208 VAC F.W.R.	4.28	44.8	N/A	N/A	Pulse duty only
R2D516-A6V380	200/890	200/890	1.313 [33,35]	380 VAC F.W.R.	13.27	24.9	N/A	N/A	Pulse duty only
R2D516-A6V480	185/823	185/823	1.313 [33,35]	480 VAC F.W.R.	20.92	20.1	N/A	N/A	Pulse duty only
R2D516-A6V575	185/823	185/823	1.313 [33,35]	575 VAC F.W.R.	32.80	15.4	N/A	N/A	Pulse duty only