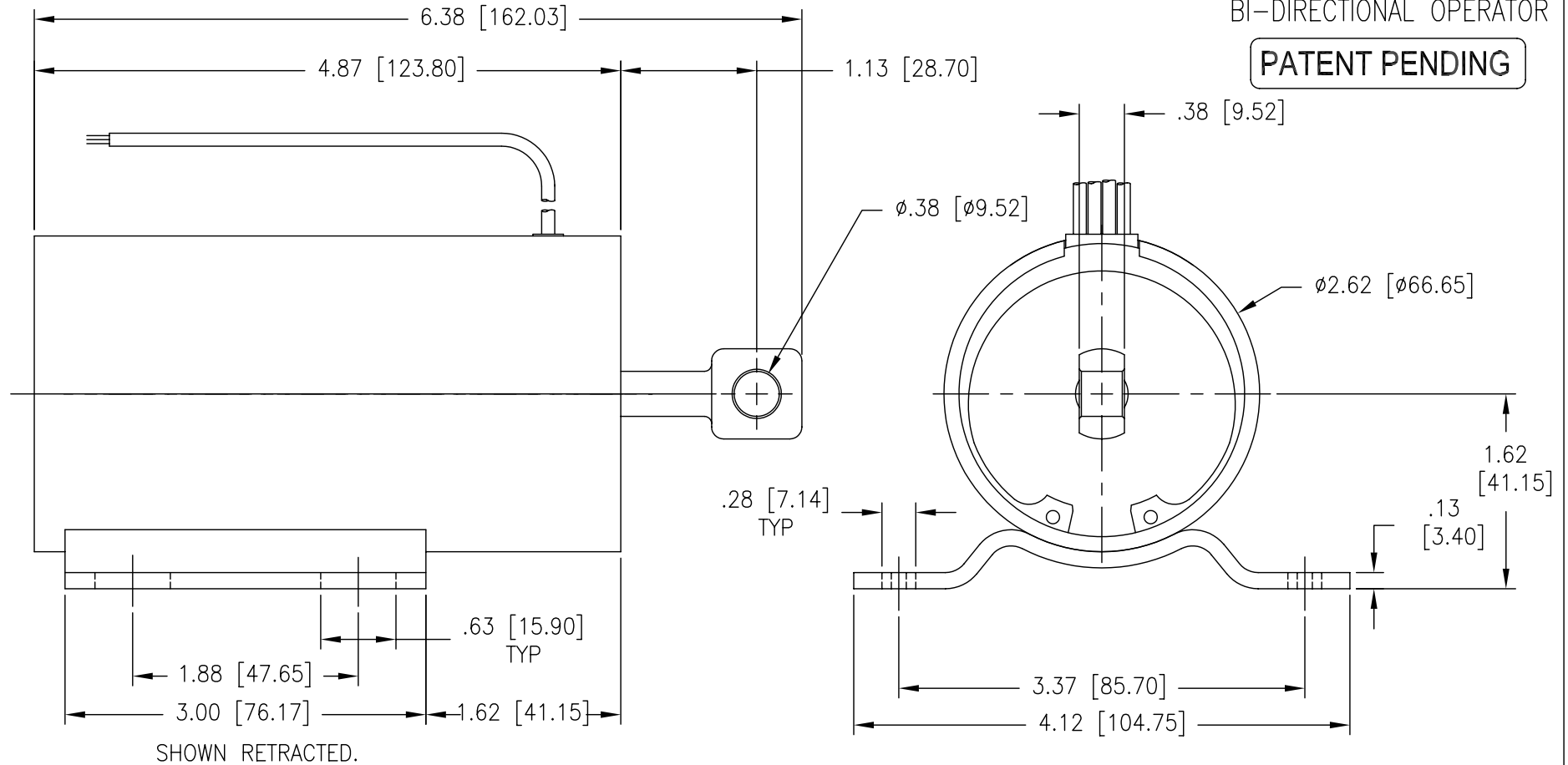


BI-DIRECTIONAL OPERATOR

PATENT PENDING



Model #	Net Pull Force (lbs./newtons)	Net Push Force (lbs./newtons)	Max. Stroke (inch [mm])	Voltage	Coil Resis. (ohms)	Pull-in (amps)	Spring	Boot	Comments & Features
R2D515-A9V208	212/943	185/823	1.063 [27,00]	208 VAC F.W.R.	4.37	41.6	N/A	N/A	Pulse duty only
R2D515-A9V380	212/943	185/823	1.063 [27,00]	380 VAC F.W.R.	14.20	23.2	N/A	N/A	Pulse duty only
R2D515-A9V480	195/867	172/765	1.063 [27,00]	480 VAC F.W.R.	23.57	17.8	N/A	N/A	Pulse duty only
R2D515-A9V575	195/867	172/765	1.063 [27,00]	575 VAC F.W.R.	31.61	16.0	N/A	N/A	Pulse duty only