

TROMBETTA'S 2-POSITION ELECTRIC THROTTLE CONTROL KIT* MOUNTS ANYWHERE

Trombetta P613-K SERIES Throttle Control Kit

P613-K Features

Designed for the ultimate in reliability, Trombetta's remote-mount engine throttle control kit combines 3-wire concept with innovative electronic/mechanical technology.

RELIABLE

- Solenoids will not burn out if cable is misadjusted.
- Solenoid and module can be mounted away from engine heat and vibration
- The kits are self-contained

SAVES MONEY

- Significantly reduces installation and adjustment time.
- Reduces warranty claims.

VERSATILE

- Fits a majority of engine types.
- Adjustable stroke from 3/8" to 1-1/2" and 20 pounds of force.
- Easy to mount in crowded engine compartments.
- Includes cable shortening feature.

REMOTE CONTROL

- Control circuit draws low current allowing greater distances between the operator and the engine.
- Can be controlled with a variety of switching devices.
- Immune from electrical system noise.
- Reverse polarity protected

EASY TO INSTALL

- Comes fully assembled.
- Very few steps and simple to adjust.
- Less expensive than most alternatives

SALES AND SERVICE SUPPORT

- Rapid delivery from stock.
- Experienced technical assistance.

P613-K Applications

Trombetta's throttle kit provides "on demand" throttle control for air compressors, utility trucks, stationary generators/welders, emergency vehicles, maintenance and construction equipment

P613-K General Specifications

RATED VOLTAGE	12 VDC	24 VDC
PULL-IN CURRENT	70.5 AMPS	36.4 AMPS
HOLD-IN CURRENT	0.9 AMPS	0.5 AMPS
PULL-IN FORCE (AT 68° F [20° C])	20 LB. (89 NEWTONS)	20 LB. (89 NEWTONS)
HOLD-IN FORCE (AT 68° F [20° C])	40 LB. (178 NEWTONS)	40 LB. (178 NEWTONS)
MAXIMUM AMBIENT TEMPERATURE	257° F (125° C)	257° F (125° C)
MAXIMUM COIL TEMPERATURE	380° F (193° C)	380° F (193° C)
MAXIMUM SOLENOID CYCLE RATE	6/MIN.	6/MIN.

P613-K System Operation

Trombetta's P613-K1 throttle control solenoid kit consists of a "three-wire", dual coil solenoid, electro-mechanical control module and stainless steel sheathed pull cable. The sheathed pull cable allows the solenoid to be mounted away from hostile environments, such as engine vibration and high temperature.

The throttle solenoid can be activated automatically or "on demand" to bring the idle speed to a pre-set high idle position.

The control module allows the solenoid to operate as a continuous duty device. When the module is wired as recommended, applying 12 VDC to the "AUX" terminal applies voltage to the hold-in and pull-in coil of the solenoid. After 0.5 to 0.75 seconds, power is automatically removed from the pull-in coil. Power will remain at the hold-in coil until the 12 VDC signal is removed from the "AUX" terminal.

*Patented

Trombetta + -
ELECTROMAGNETICS

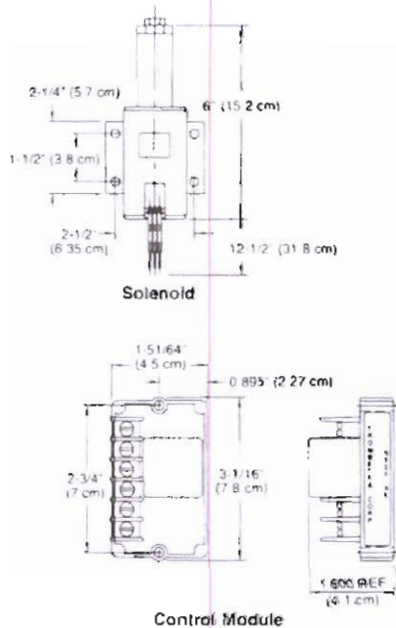


13901 Main Street
Menomonee Falls, WI 53051
(414) 251-5454
FAX: (414) 251-5757
<http://www.trombetta.com>

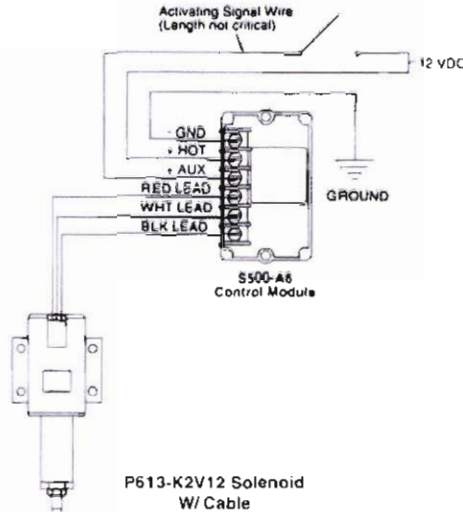
P613-K Dimensions and Wiring Configurations

(All dimensions in inches and millimeters)

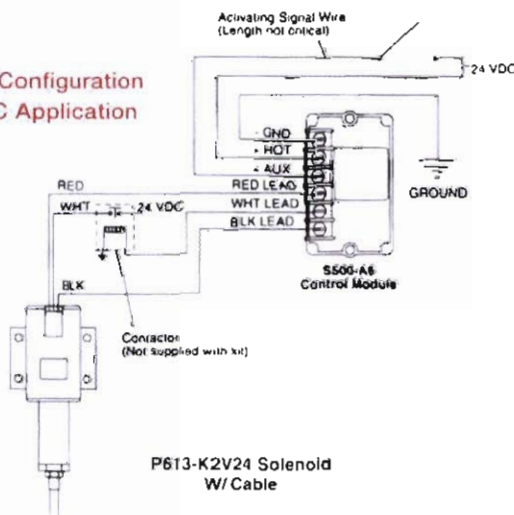
General Component Dimensions



Wiring Configuration 12 VDC Application



Wiring Configuration 24 VDC Application



Trombetta P613-K SERIES Throttle Control Kit

P613 Standard Kit Part Numbers

Kit Part Number	Volts
P613-K1V12	12
P613-K1V24	24

• Additional models available

P613-K Series Options

Trombetta P613-K throttle control kits offer a variety of options for customized installations.

- Electrical Connectors
- Custom Modification

Trombetta solenoid products have been designed and manufactured in the U.S.A. since 1932.

See Trombetta first for long-lasting tough-duty solenoids to fit the toughest – or easiest – applications.

Trombetta

ELECTROMAGNETICS
13901 Main Street
Menomonee Falls, WI 53051

(414) 251-5454

FAX: (414) 251-5757

<http://www.trombetta.com>

P613-K Series Parts List

ITEM	P/N	DESCRIPTION
1	E0719/S	CABLE PIVOT 1/8" THICK*
2	H10407	COTTER PIN
3	NA	CABLE BULKHEAD
4	E07046-1	CABLE BRACKET
5	SPECIFY KIT#	CABLE ASSEMBLY 46" LONG**
6	NA	JAM NUT
7	NA	ALUMINUM ADJUSTMENT NUT
8	P613-K2V12	SOLENOID ASSEMBLY W/CABLE (12 VDC)
8	P613-K2V24	SOLENOID ASSEMBLY W/CABLE (24 VDC)
9	S500-A6	CONTROL MODULE

* OTHER PIVOT OPTIONS AVAILABLE

** CABLE SHORTENING FEATURE INCLUDED

