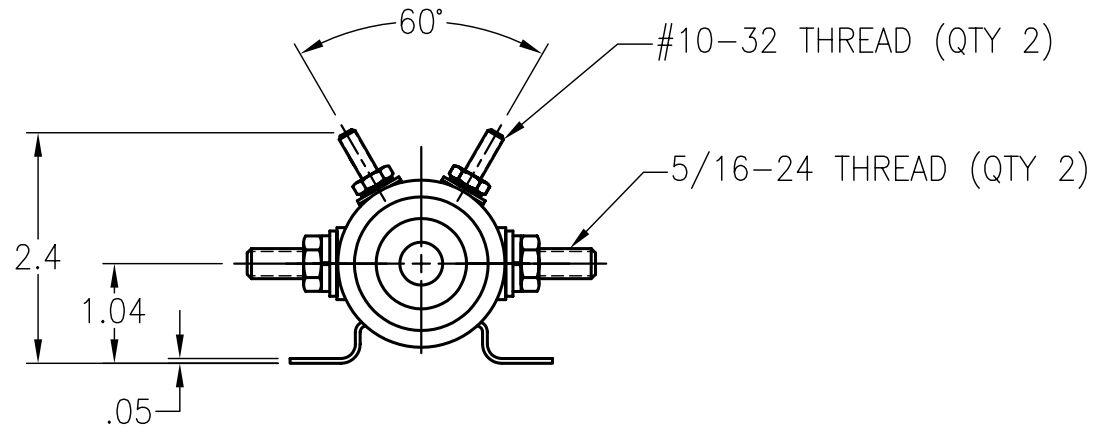
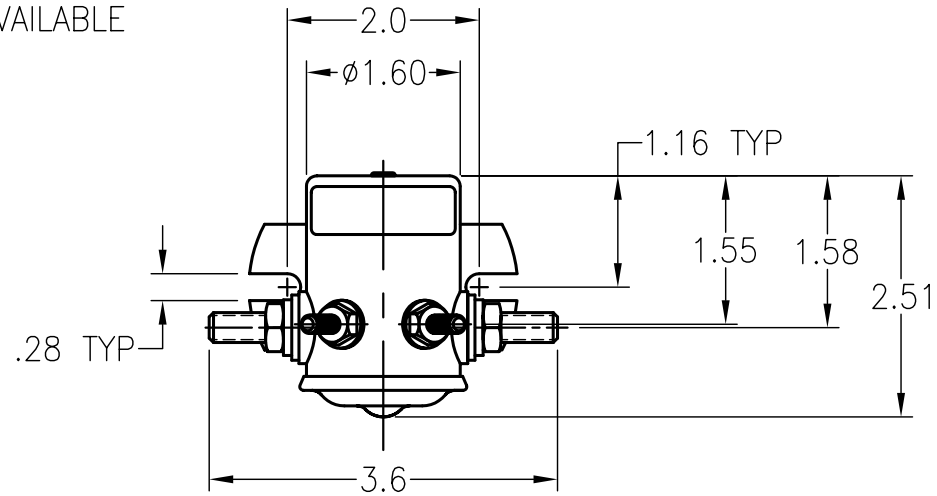



NOTE: BULK HARDWARE KITS ARE AVAILABLE



MATERIAL						 MOTION TECHNOLOGIES®		
FINISH								
UNLESS OTHERWISE SPECIFIED						DRAWN JMG		
.XXX +/- .005 .XX +/- .01 ANG. +/- 1°						SCALE 1:2		DWG. NO.
BREAK ALL EDGES .005-.015						APPR. DAH		DATE 11/5/02
FILLET .010-.020 RAD.						125° FINISH		E08347

A	RELEASE	JMG	4044	11/5/02	DAH
REV.	DESCRIPTION	BY	ECN	DATE	APP.