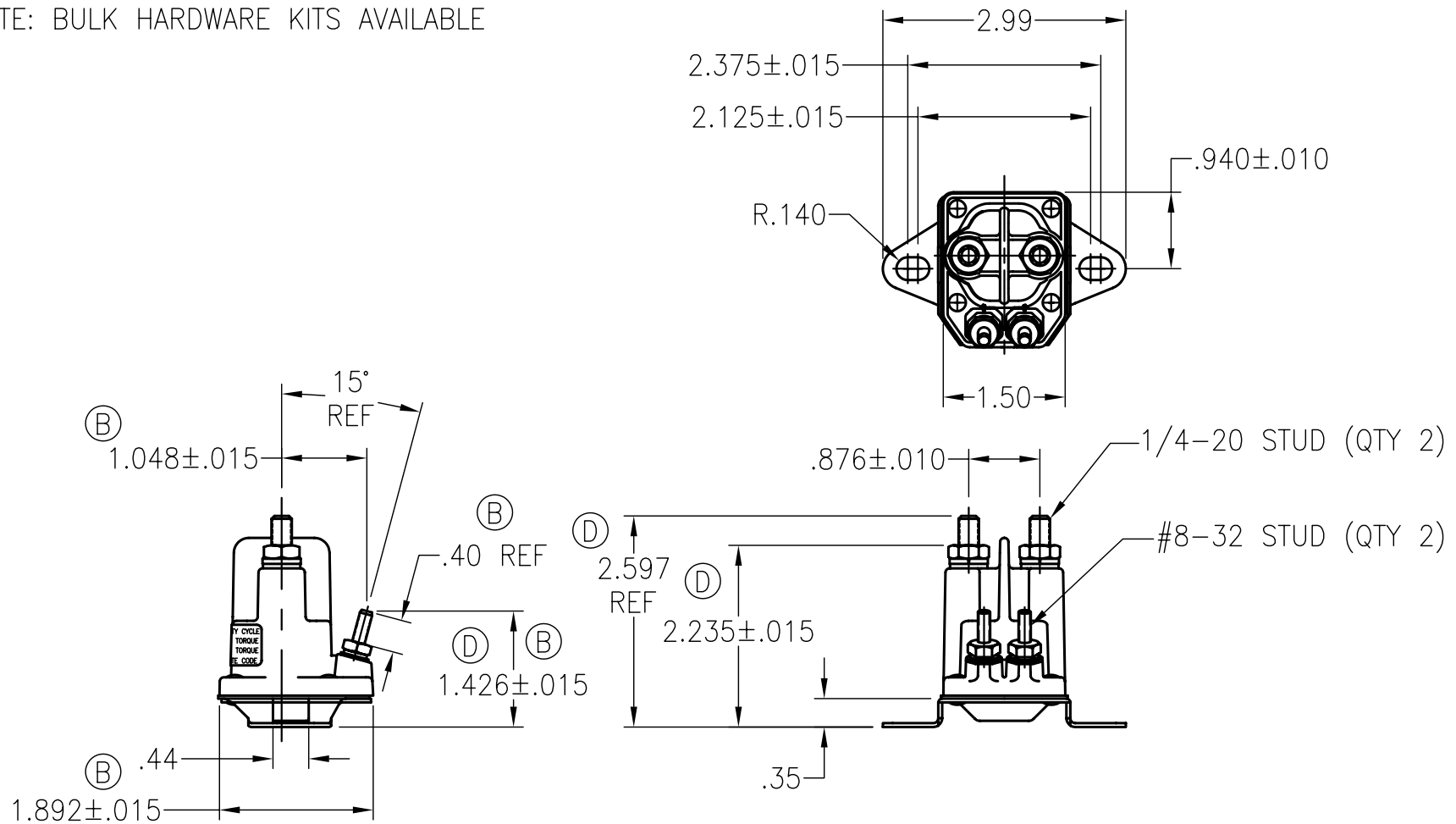


NOTE: BULK HARDWARE KITS AVAILABLE



© TORO PART NUMBER 106-8 245

D	2.597 REF WAS 2.623 REF 2.235±.015 WAS 2.261±.015 1.426±.015 WAS 1.452±.015	JMG	4183	7/2/03	EJR
C	ADD TORO P/N	JMG	4108	2/10/03	DAH
B	1.048±.015 WAS 1.003±.015 1.452±.015 WAS 1.285±.015 1.892±.015 WAS 1.907±.015 ADD .40 REF	JMG	4101	2/3/03	DAH
A	RELEASE	JMG	4018	10/2/02	DAH
REV.	DESCRIPTION	BY	ECN	DATE	APP.

MATERIAL		
FINISH		
UNLESS OTHERWISE SPECIFIED		
.XXX +/- .005	.XX +/- .01	ANG. +/- 1°
BREAK ALL EDGES .005-.015		125/ FINISH
FILLET .010-.020 RAD.		

Trombetta MOTION TECHNOLOGIES		
772 STD BRACKET CONTACTOR DIMENSIONAL ASSEMBLY		
DRAWN JMG	SCALE 1:2	DWG. NO.
APPR. DAH	DATE 10/2/02	E08275